

# GE Consumer & Industrial Power Protection

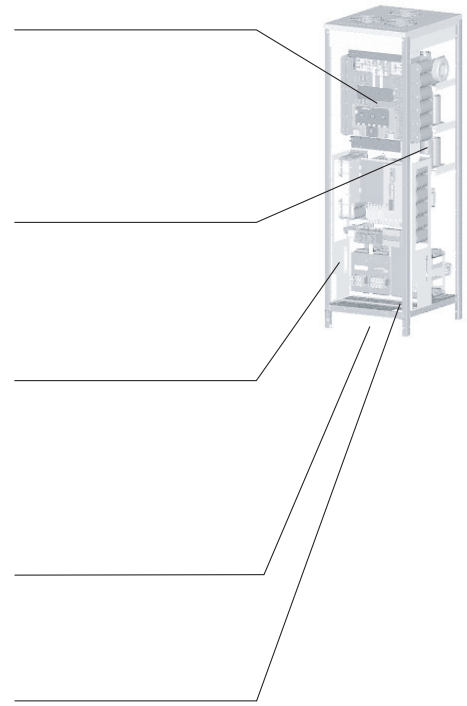
The GE Digital Energy™ LP 33 Series is a highly reliable transformerless three phase UPS system providing power protection for a wide range of critical applications from medical to datacenters and telecommunication.

The LP33 40-120 product range is available as two versions:

- Active IGBT Rectifier with a THDi of <9%
- Active IGBT Rectifier Clean Input Module with a THDi of <4.5% (<3.5% @ 75% load)

## features & benefits

- GE's clean input **Active IGBT technology** provides low input harmonics feedback distortion constant for all load levels from 20% to 100% load. This allows the user to save in the sizing of upfront UPS equipment: generator sets, cabling and circuit breakers. It also reduces the disturbance on nearby equipment without the need of additional filters.
- Input/Output terminals are easily accessible from the front, as are all other serviceable parts. **True front access** provides the possibility to place the unit against a wall or in a 'back to back' configuration, saving floor space for other customer equipment (i.e data center,...) and reducing repair time.
- **EMC class A filters** are installed as standard (at no additional cost) in the UPS, ensuring the reduction of interference with other equipment supported in the application (telecom, broadcasting,...). This protects the quality of the customer application equipment, for example with images from a medical scanner in healthcare application.
- The **low footprint** of the LP33 is best in class and provides the user with more space for other equipment. Combined with its low weight, it can be easily handled, reducing installation time and costs.
- The **output dynamic stiffness** characteristic of the unit is particularly suitable in healthcare application where no voltage distortion with non linear load and no voltage variation with load steps are required.



# Digital Energy™ LP 33 UPS

40/60/80/100/120 kVA three phase 400 Vac  
Active IGBT Rectifier & Active IGBT Rectifier Clean Input Module  
Uninterruptible Power Supply (UPS)



GE imagination at work



LP Series 60-80 kVA

# reliability

The LP Series UPS offers reliability at its best. The UPS is equipped with a redundant power supply ensuring instantaneous transfer to bypass in the event of a breakdown of the power electronics. To further increase system reliability, 2 or more units can be connected in parallel. In this way a redundant fault-tolerant system is created with maximum power availability and reliability. The decentralized bypass offers maximum flexibility to the end-user for future expansion of the system.

## technical specifications

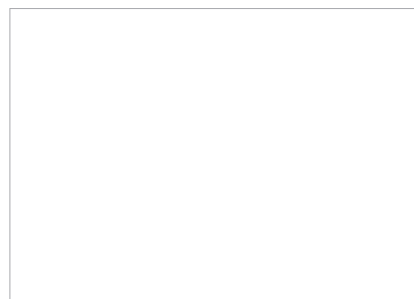
Topology	: VFI (Voltage Frequency Independent) according to EN 62040-3
Technology	: booster IGBT technology
Operating Modes	: double conversion, automatic bypass, ECO mode, frequency converter and parallel operation up to 4 units

Output power rating (kVA) (at PF = 0.6-0.8 lagging)	40	60	80	100	120
Output power rating (kW)	32	48	64	80	96
Output power factor	0.8				
Dimensions (w x d x h), mm	600x725x1400	600x725x1800		725x725x1800	
Weight (kg)	220	280	290	400	450
Audible noise	<60 db(A)	<65 db(A)			
Efficiency	93%				
Efficiency on ECO Mode	99%				
Protection degree	IP 20				
Input voltage range	320 - 460 Vac				
Input frequency range	50/60 Hz +/- 10%				
Input power factor	0.98				
Input current THD	Active IGBT Rectifier: < 9% Active IGBT Rectifier Clean Input Module: < 4.5% (< 3.5% @ 75% load)				
Output voltage	3x380/400/415Vac, user selectable				
Output frequency	50/60 Hz +/- 0.1%				
Output voltage THD at linear load	< 1%				
Output voltage THD at non-linear load	< 2%				
Output voltage regulation static	< +/-1%				
Output voltage regulation dynamic (100% step load)	< +/-0.5% (recovery time < 3ms)				
Overload capability on inverter	125% 10 min., 150% 1 min.				
Batteries (40 blocks of 12V)	common battery in parallel system optional				
Ambient operating temperature	0 - 40 °C				
Colour	RAL 9003, white				
Safety standards	EN 62040-1 / EN 60950 / IEC 60950				
Safety	backfeed protection standard included				
EMC standards	EN 62040-2 Class A				
Interfacing	RS232; 4 alarm contacts, SNMP interface (optional)				

Specifications subject to change without prior notice



your distributor:



GE Consumer & Industrial SA  
Via Cantonale 50  
6595 Riazzino (Locarno)  
Switzerland  
T +41 (0) 91 850 51 51  
F +41 (0) 91 850 51 44  
E gedefinfo@ge.com



Visit us online at:  
[www.gedigitalenergy.com](http://www.gedigitalenergy.com)