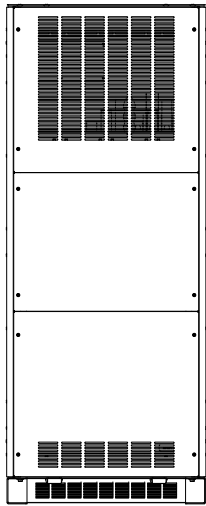
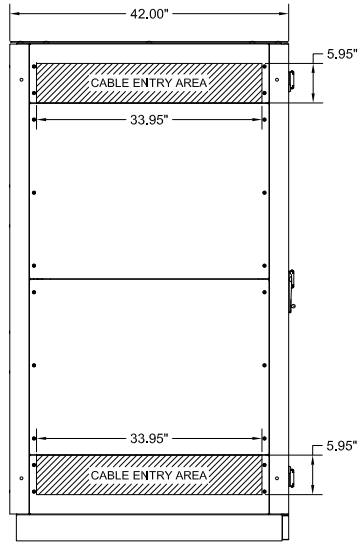


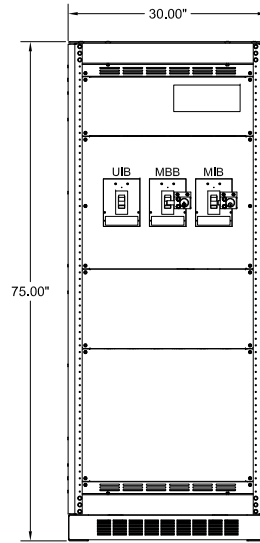
TOP VIEW



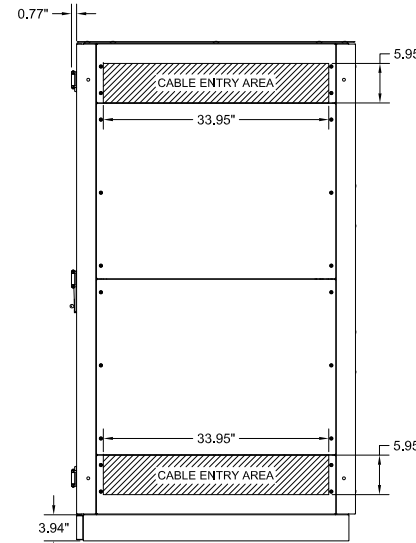
REAR VIEW



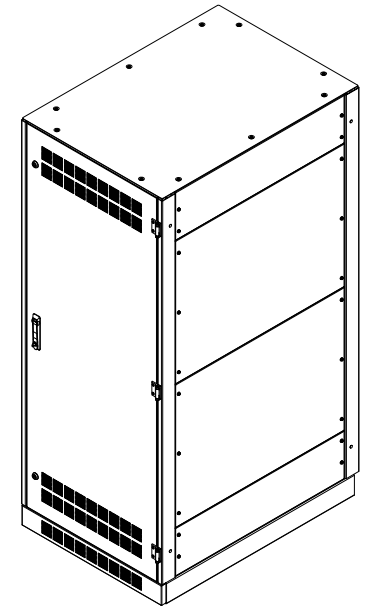
LEFT SIDE VIEW



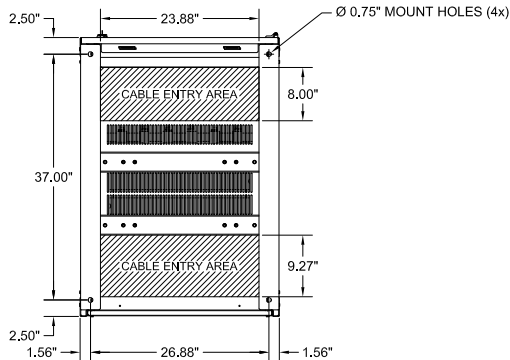
FRONT VIEW
(DOOR REMOVED)



RIGHT SIDE VIEW




ISOMETRIC VIEW



BOTTOM VIEW

NOTES:

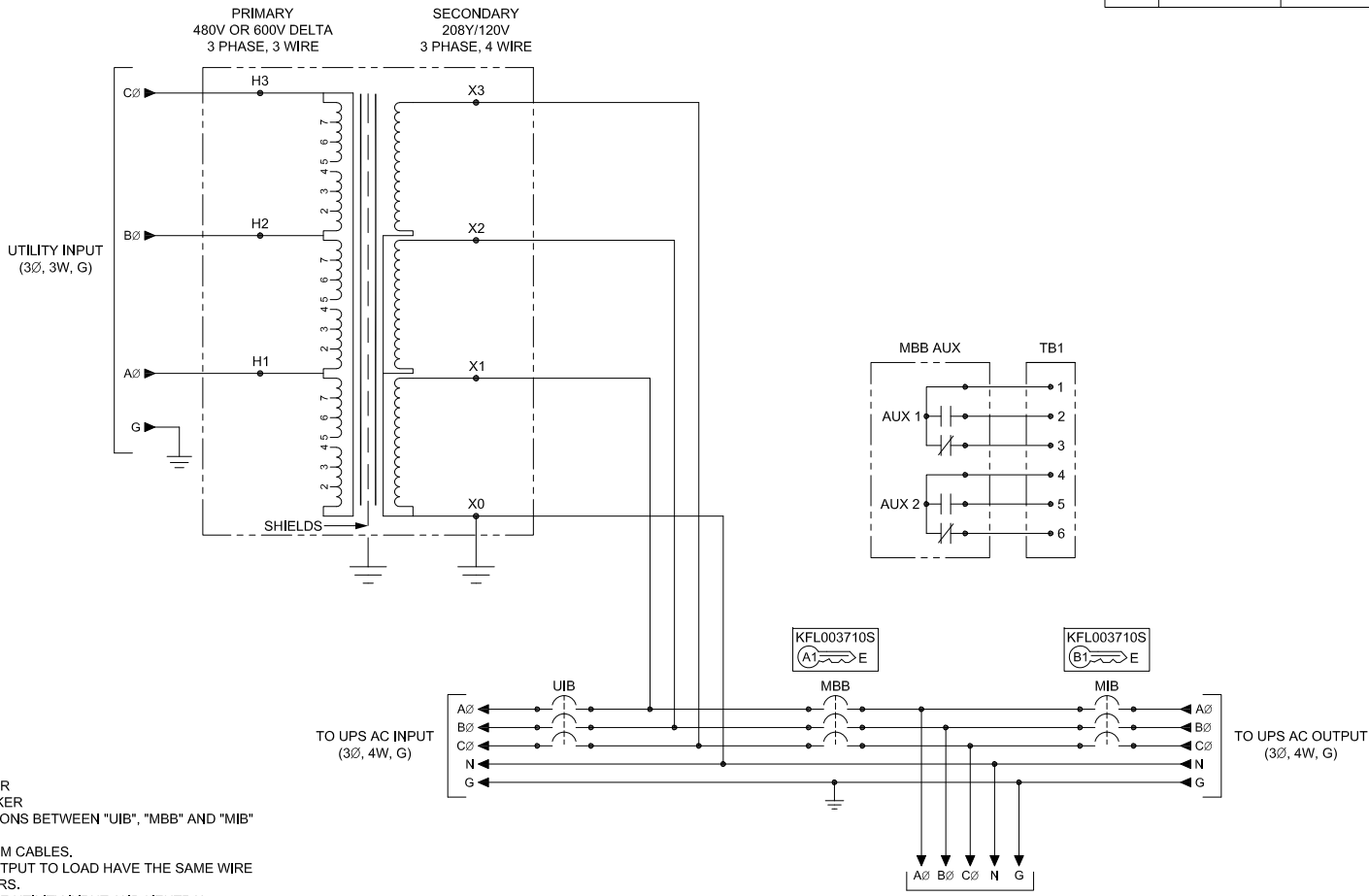
1. APPROXIMATE WEIGHT: 800-1400 LBS.
2. ASSEMBLY IS UL/CUL LISTED TO UL 891 AND C22.2 NO. 244.
3. NEMA 1 TYPE ENCLOSURE.
4. THE CABINET IS CONSTRUCTED FROM GALVANIZED STEEL.
5. THE CABINET IS TO BE MOUNTED THROUGH THE 0.750" HOLES IN THE CABINET LEGS. THE LEGS ARE FORMED FROM 10 GAUGE STEEL.
6. FINISH IS POWDER COAT ON ALL EXTERNAL AND VISIBLE SURFACES, INTERIOR PANELS AND MOUNT BRACKETS ARE GALVANIZED FINISH.
7. A MINIMUM REAR CLEARANCE OF 6" IS REQUIRED FOR OPTIMAL COOLING OF THE EQUIPMENT.

MAINTENANCE BYPASS CABINET WITH XFRMR FOR TME SERIES UPS 15KVA-90KVA 3 BREAKER BYPASS 480D/600D-208Y/120V INPUT TRANSFORMER			
<small>THE INFORMATION CONTAINED IN THIS DRAWING IS THE SOLE PROPERTY OF C&C POWER, INC. ANY REPRODUCTION WITHOUT THE WRITTEN CONSENT OF C&C POWER, INC IS PROHIBITED.</small>			
<small>DIMENSIONS ARE IN INCHES</small>		<small>INITIALS</small> <small>DATE</small>	 Manufactured by C&C Power for GE
<small>TOLERANCES:</small> <small>DECIMALS: .XX ±.13</small> <small>ANGLES: .XXX ±.082</small>	<small>DRAWN</small> CH <small>CHECKED</small> CH	9/22/2017 9/22/2017	
<small>SCALE: NTS</small> A	<small>REV: 1</small>	SHEET 1 OF 2	
<small>©2017 C&C POWER, INC. ALL RIGHTS RESERVED</small>			

DRAWING # 98815-22KVA-120KVA-600D-600D-208Y-C2-SD01-1 REV 1

TRANSFORMER RATINGS										
UPS KVA	XFRMR KVA	PRIMARY VOLTAGE	SECONDARY VOLTAGE	FREQUENCY	MATERIAL	TEMP RISE	K FACTOR	EFFICIENCY	NEUTRAL	UTILITY INPUT
15	22	480	208Y/120	60 HZ	AL	150°C	K13	DOE-2016	250A RATED ACCEPTS (4) 6 - 250	(1) 14 - 1/0 PER PHASE
		600								
30	33	480							250A RATED ACCEPTS (4) 6 - 250	(1) 6 - 250 PER PHASE
		600								
45	56	480							250A RATED ACCEPTS (4) 6 - 350	(1) 6 - 250 PER PHASE
		600								
60	80	480			750A RATED ACCEPTS (8) 6 - 350	(1) 6 - 250 PER PHASE				
		600								
75	100	480			800A RATED ACCEPTS (8) 6 - 500	(1) 6 - 250 PER PHASE				
		600								
90	120	480			800A RATED ACCEPTS (8) 4 - 600	(1) 6 - 250 PER PHASE				
		600								

CIRCUIT BREAKER SUMMARY					
KVA	AIC	BREAKER MODEL	LOCATION	TRIP	WIRE RANGE
15	65K @ 240VAC	SEHA36AT0150	MBB, MIB & UIB	60A	(1) 12 - 3/0
30	65K @ 240VAC	SEHA36AT0150	MBB, MIB & UIB	125A	(1) 12 - 3/0
45	65K @ 240VAC	SFHA36AT0250	MBB, MIB & UIB	175A	(1) 8 - 350
60	65K @ 240VAC	SFHA36AT0250	UIB	250A	(1) 8 - 350
			MBB & MIB	225A	
75	65K @ 240VAC	SGHA36AT0400	UIB	350A	(2) 2/0 - 500 OR (1) 8 - 600
			MBB & MIB	300A	
90	65K @ 240VAC	SGHA36AT0400	UIB	400A	(2) 2/0 - 500 OR (1) 8 - 600
			MBB & MIB	350A	



- NOTES:**
- "UIB" UPS INPUT BREAKER
 - "MBB" MAINTENANCE BYPASS BREAKER
 - "MIB" MAINTENANCE ISOLATION BREAKER
 - ALL INTERNAL ELECTRICAL CONNECTIONS BETWEEN "UIB", "MBB" AND "MIB" ARE MADE USING COPPER BUS BARS.
 - GROUND LUG ACCEPTS (4) #6 - 250 MCM CABLES.
 - MECHANICAL LUGS USED FOR THE OUTPUT TO LOAD HAVE THE SAME WIRE RANGE AS THE "MIB" CIRCUIT BREAKERS.
 - MECHANICAL LUGS PROVIDED FOR THE UTILITY INPUT AND NEUTRAL CONNECTIONS. SEE TRANSFORMER RATINGS TABLE FOR WIRE RANGE INFO.
 - CABLE KIT PROVIDED FOR CONNECTIONS TO UPS AC INPUT & UPS AC OUTPUT. CABLE KIT SIZED FOR SIDE BY SIDE LINE UP WITH UPS.
 - THIS DRAWING IS TO BE USED FOR ELECTRICAL PURPOSES ONLY AND DOES NOT REPRESENT THE ACTUAL MECHANICAL LAYOUT OF THE EQUIPMENT.

- KIRK KEY NOTES:**
- THE "E" OR "W" NEXT TO THE INTERLOCK INDICATES THE POSITION OF THE INTERLOCK BOLT WHEN THE KEY IS REMOVABLE. "E" = EXTENDED AND "W" = WITHDRAWN.
 - THE KEY OR KEYS NEXT TO THE INTERLOCK INDICATES THE KEY NUMBER THAT FUNCTIONS WITH THE INTERLOCK.

MAINTENANCE BYPASS CABINET WITH XFRMR FOR TME SERIES UPS			
15KVA-90KVA 3 BREAKER BYPASS			
480D/600D-208Y/120V INPUT TRANSFORMER			
THE INFORMATION CONTAINED IN THIS DRAWING IS THE SOLE PROPERTY OF C&C POWER, INC. ANY REPRODUCTION WITHOUT THE WRITTEN CONSENT OF C&C POWER, INC IS PROHIBITED.			
DIMENSIONS ARE IN INCHES	INITIALS	DATE	
TOLERANCES:	DRAWN CH	9/22/2017	
DECIMALS: .XX ±.13	CHECKED CH	9/22/2017	
ANGLES: ±1°			
SCALE: SEE A	REV: 1	SHEET 2 OF 2	
			Manufactured by C&C Power for GE ©2017 C&C POWER, INC. ALL RIGHTS RESERVED

DRAWING #: 98815-22KVA-120KVA-480D-600D-208Y/120V-480D-600D-208Y/120V-12 REV 1